

SPECIFICATIONS

CONCRETE - 6000 PSI minimum in 28 days.

REINFORCEMENT - 6X6 10 gauge
ASTM A185 65 KSI plain finish cont.
around perimeter of tank, #3 bars (Grade 60)
rebar, per engineering spec. as required for
tanks design.

LID REINFORCEMENT - #3 rebar 6" center, both
ways plus a mat on 6X6 10 gauge wire.

PIPE PENETRATIONS - Inlet and outlet seals
water tight that meet ASTM C923.

PARTITION WALLS - If present, is poured
monolithically.

INSTALLATION - By contractor per code with
minimum of 12" on all sides of unit is required.

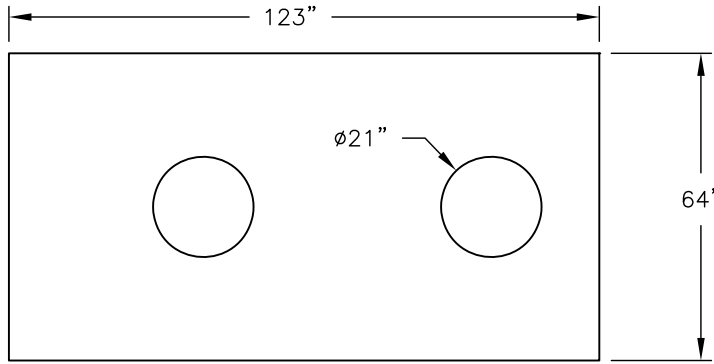
Depth of base and material shall meet the
specifications and requirements for the type
of soil at the setting location. The leveling of
the material will prevent tank from cracking
after filling with water.

BACK FILL - Before filling with water! This must
be done on all sides by lowering sand.

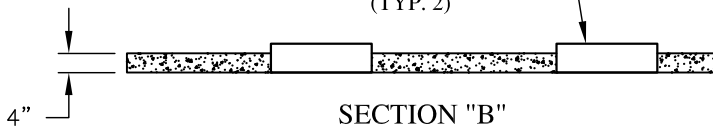
DO NOT PUSH FROM SIDES.

TANK WARRANTY - Limited to replacement for 1 year.

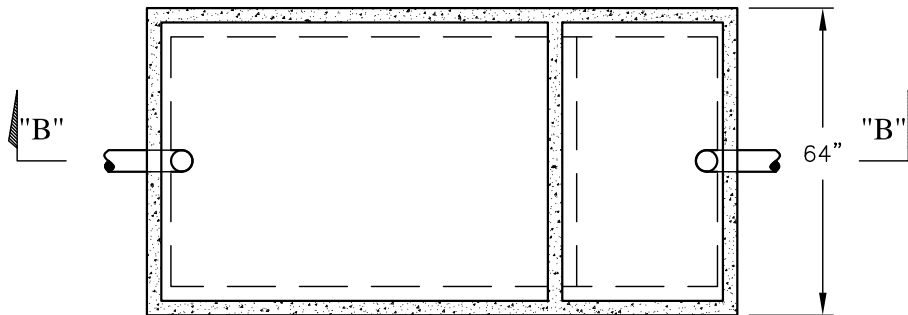
Full warranty provided with tank purchase at location
and at www.texasprecast.net
Approx. Capacity -1705 Gallons
Approx. Weight ____ lbs.
Meets ASTM C-1227



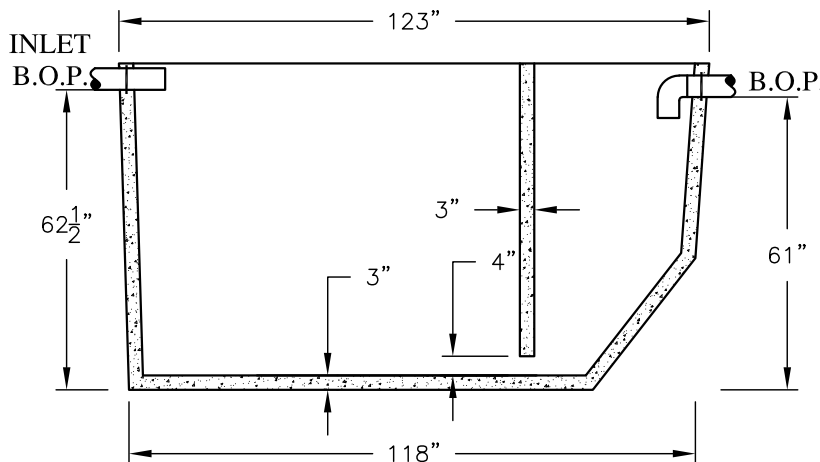
RISER CONSTRUCTED
AS SPECIFIED. STANDARD
1'-8", 6" TALL. TUF-TITE OR
OR EQUIVALENT.
(TYP. 2)



SECTION "B"
SEPTIC TANK LID

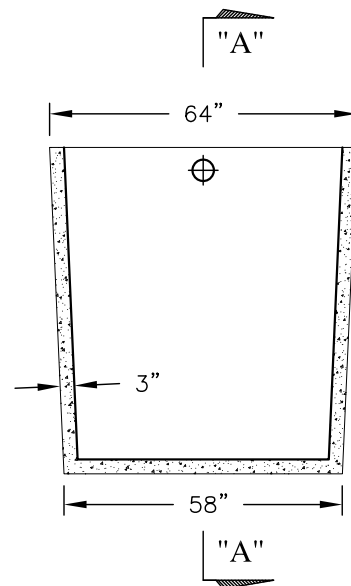


TOP VIEW



FRONT VIEW
SECTION "A"

SEPTIC TANK BODY



RIGHT SIDE VIEW

WWW.TEXASPRECAST.NET

TOLL FREE: 800-633-3235
PHONE: 409-925-2502

TEXAS PRECAST, L.L.C.

18303 HIGHWAY 6
SANTA FE, TEXAS 77510

MODEL
1500 TRASH TANK